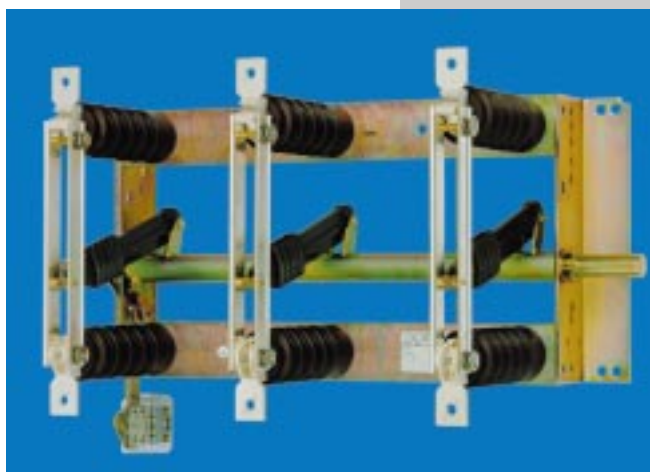


**DRIESCHER**  
**Indoor Disconnectors,**  
**Fuse Bases,**  
**Earthing Switches**

- Single-pole and three-pole
- Rated voltages  
12 kV, 24 kV, 36 kV and 38.5 kV
- Rated currents 630 A, 1250 A,  
1600 A, 2500 A, 4000 A, 6300 A



31

**ELEKTROTECHNISCHE WERKE**  
**FRITZ DRIESCHER & SÖHNE GMBH**

D-85366 MOOSBURG • TEL. +49 87 61 6 81-0 • FAX +49 87 61 68 11 37  
<http://www.driescher.com> email: [Driescher@aol.com](mailto:Driescher@aol.com)



## DRIESCHER - Indoor Disconnectors - Fuse Bases - Earthing Switches

in conformance with current DIN and VDE standards

- 3 General Description
- 3 Technical Data
- 4 Indoor Disconnector L 31/13300, rated current 630 A
- 5 Indoor Moulded-Case Disconnector L 31 / 24, rated current 630 A
- 6 Indoor Disconnector L 31/13300, rated current 1250 A
- 7 Indoor Disconnector L 31/13300, rated current 1600 A
- 8 Indoor Disconnector L 31/13300, rated current 2500 A
- 9 Single-Pole and Three-Pole Indoor Fuse Bases for h.v.h.b.c. fuses with rated currents of up to 200 A
- 10 Indoor Earthing Switch with quick-make operation
- 11 Single-Pole Indoor Disconnectors, rated currents 1250 A and 2500 A

## DRIESCHER - Indoor Switchgear

### General

The disconnectors contained in this list are designed for no-load switching in medium-voltage switchgear.

All disconnectors are in conformance with DIN VDE standards 0670, Part 2, and DIN VDE 0111.

In general, all disconnectors come with a distortion-resistant sectional steel frame.

The operating shafts of switching devices have bronze bearings so that any rusting-in will be ruled out.

Contacts and profile blades are made of drawn electrolytic copper.

Conducting paths come with electro-silverplating. The silver plating is approx. 10 µm in thickness.

Rust-resistant compression springs will ensure adequate contact pressure.

The striker sides of the 1250 A, 1600 A, and 2500 A disconnectors have contact inserts with self-lubricating silver-graphite facings.

Disconnector mounting frames are galvanised and passivated in chromic acid.

All DRIESCHER disconnectors and earthing switches are on principle equipped with continuous operating shafts ( $\varnothing=30$  mm).

This will allow mounting of the driving mechanism on the left-hand side or, alternatively, on the right-hand side.

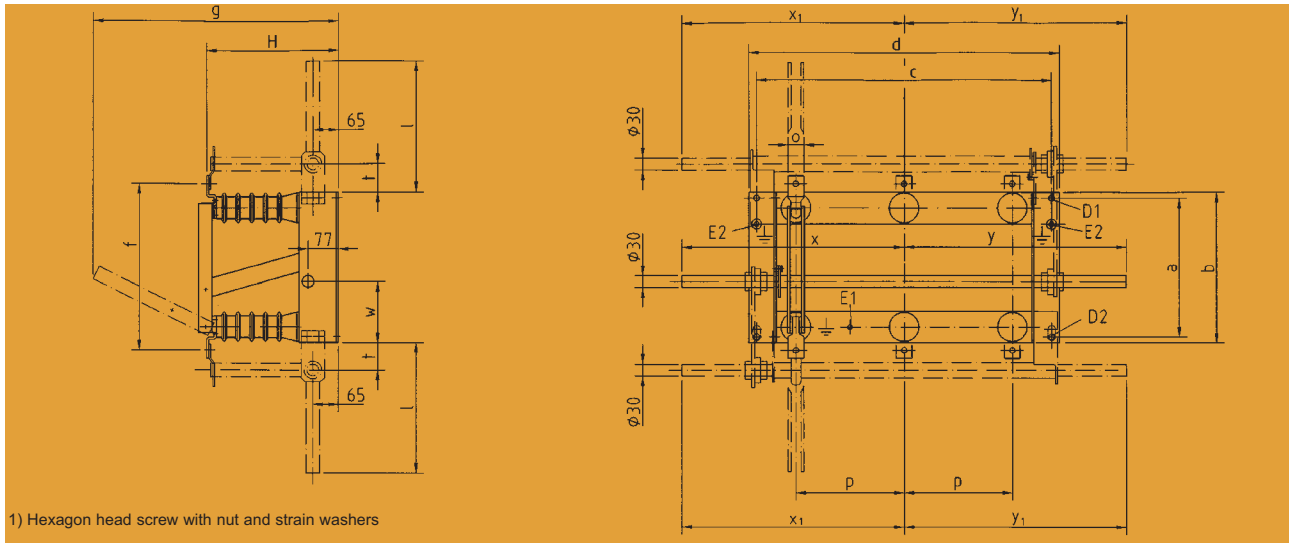
### Technical Data

Rated voltage kV	Rated current A	Rated short time current $I_k$ <sup>1)</sup> kA	Rated peak withstand current $I_p$ kA
12	630	31.5	80
12	1250	31.5	80
12	1600	40	100
12	2500	40	100
24	630	20	50
24	1250	31.5	80
24	1600	31.5	80
24	2500	40	100
36	630	20	50
36	1250	31.5	80
36	1600	31.5	80
36	2500	40	100
38.5	630	20	50

1) For load periods  $t$  of between 1 and 5 seconds, the one-second short-time current shall be multiplied by  $1/\sqrt{t}$ .

## DRIESCHER - Indoor Disconnecter L 31/13300

Rated current 630 A



Rated voltage kV	Rated current A	Part no.	p	a	b	c	d	f	≈g	l	H	o	w	x/y	Weight kg	Drawing no.
12	630	731 41000	210	280	310	600	630	370	454	256	255	40	115	450	23.5	IT 3-13300
24	630	731 51000	275	350	380	750	790	420	619	326	335	40	155	565	33.5	IT 3-13300
36	630	731 61000	400	450	500	1000	1040	520	833	426	445	30	195	775	58.0	IT 3-13300
38,5	630	731 69000	400	450	500	1000	1040	555	910	495	475	40	195	775	60.0	IT 3-70363

### • with earthing switch mounted at top or bottom

D1	D2	E1	E2	x <sub>1</sub> /y <sub>2</sub>	Rated voltage kV	Rated current A	≈L	t	x <sub>1</sub> /y <sub>1</sub>
∅15	∅15	M12	---	450	12	630	566	195	450
∅15	∅15	M12	---	565	24	630	706	225	565
∅18	18x38	---	M12	775	36	630	926	255	775
∅18	18x38	---	M12	775	38,5	630	975	275	775

### • with earthing switch mounted at top or bottom

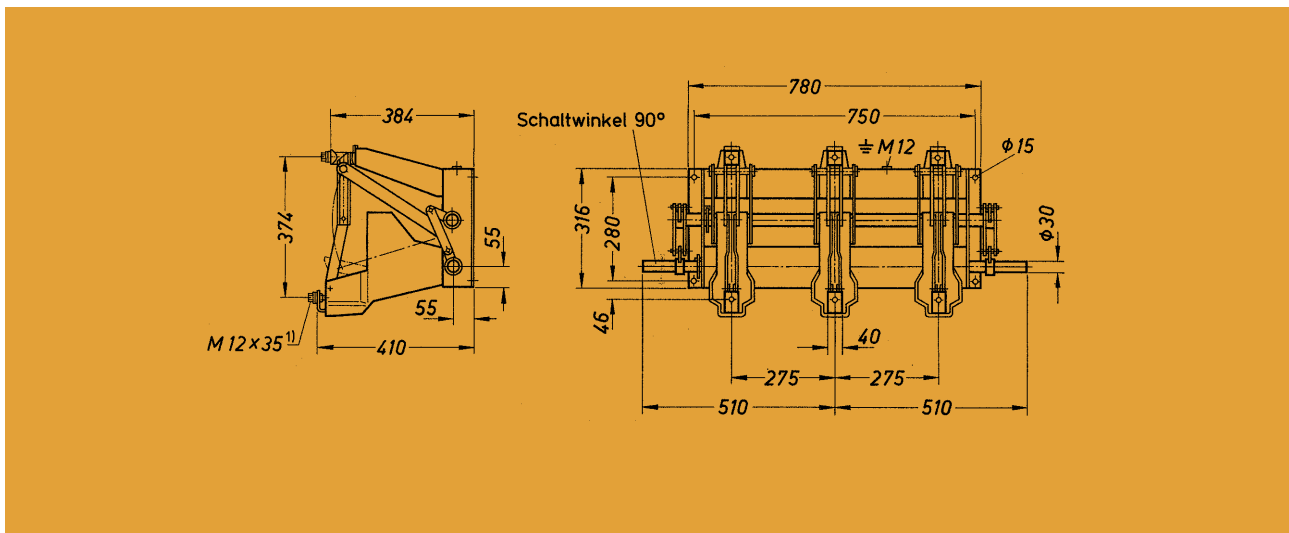
Part no., top-mounted earthing switch (incl. mechanical interlock)	Part no., bottom-mounted grounding switch (incl. mechanical interlock)	Part no., top-mounted earthing switch (excl. mechanical interlock)	Part no., bottom-mounted grounding switch (excl. mechanical interlock)	Weight kg	Drawing no.
731 41015	731 41014	731 41012	731 41011	dimensions	IT 3-13300
731 51015	731 51014	731 51012	731 51011	being missed	IT 3-13300
731 61015	731 61014	731 61012	731 61011	are shown in	IT 3-13300
731 69015	731 69014	731 69012	731 69011	the table above	IT 3-38021

**Equipped with:** positive mechanical locking between disconnecter and earthing switch, pilot switches, pneumatic operating mechanisms or motor-drive mechanisms (list 776) **only if a supplementary order is placed.**

**Indoor disconnecter with quick-make grounding switch mounted at top and bottom, upon inquiry.**

## DRIESCHER - Indoor Moulded-Case Disconnecter L 31 / 24

Rated current 630 A



Rated voltage kV

Rated current A

Part no.

Weight kg

Drawing no.

24

630

732 53500

49.0

IT 4-49450

### Description of Functional Characteristics

This moulded-case disconnecter is available in a 24 kV, 630 A, and p= 275 mm version only.

Dimensions in OFF position are equal to dimensions in ON position.

In ON position, the operating shaft will switch to dead centre so that the moulded-case disconnecter is latched into ON position.

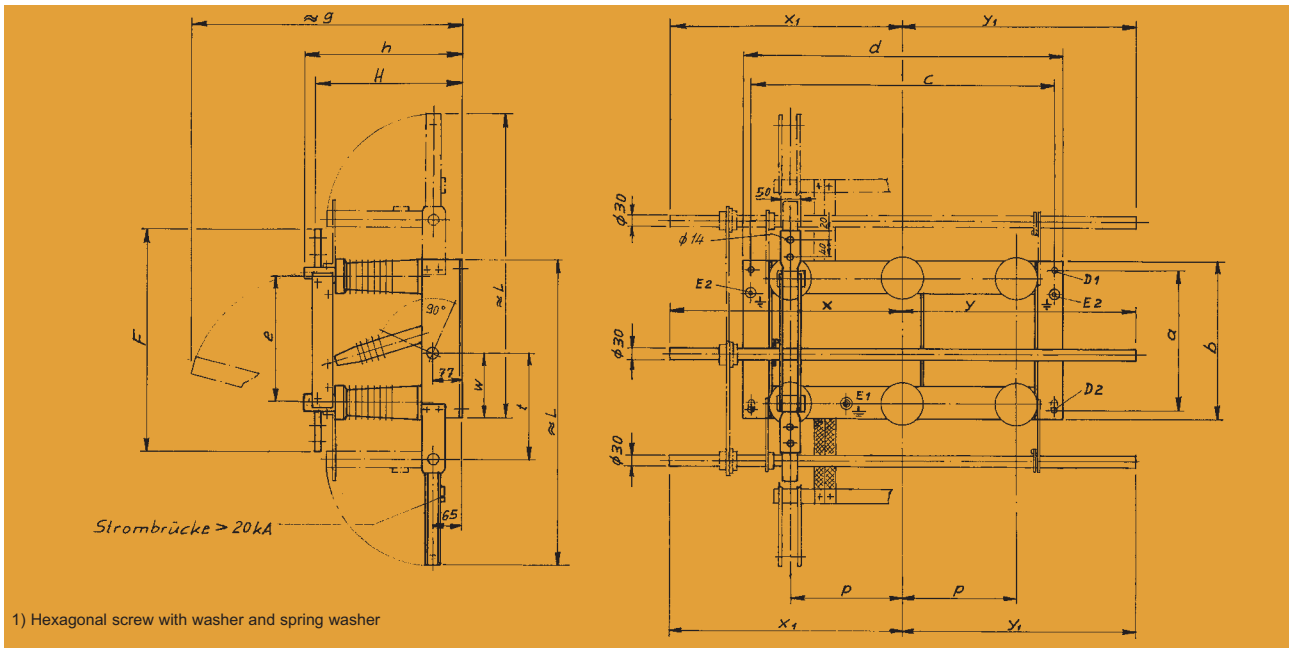
The switching device can be operated from both the left-hand and the right-hand side.

Mounting a UM operating mechanism will also be possible.

**Equipped with:** pilot switch,  
only if a supplementary order is placed

## DRIESCHER - Indoor Disconnecter L 31/13300

Rated current 1250 A



Rated voltage kV	Rated current A	Part no.	p	a	b	c	d	F	≈g	h	H	w	x/y	Weight kg	Drawing no.
12	1250	731 71000	210	280	310	600	640	490	525	315	286	115	450	65	IT 3-24400
24	1250	731 81000	275	350	380	750	790	550	680	395	366	155	565	71	IT 3-24400
36	1250	731 91000	400	450	500	1000	1040	640	885	505	476	195	775	79	IT 3-24400

Rated voltage kV	Rated current A	Part no.	e	D1	D2	E1	E2	Weight kg	Drawing no.
12	1250	731 71000	250	∅ 15	∅ 15	M12	-	65	IT 3-24400
24	1250	731 81000	310	∅ 15	∅ 15	M12	-	71	IT 3-24400
36	1250	731 91000	400	∅ 18	18x32	-	M12	79	IT 3-24400

**• with earthing switch mounted at top or bottom**

Rated voltage kV	Rated current A	≈L	t	x1/ y1	Weight kg	Drawing no.
12	1250	585	210	450	76	IT 3-24400
24	1250	735	250	565	82	IT 3-24400
36	1250	945	275	775	91	IT 3-24400

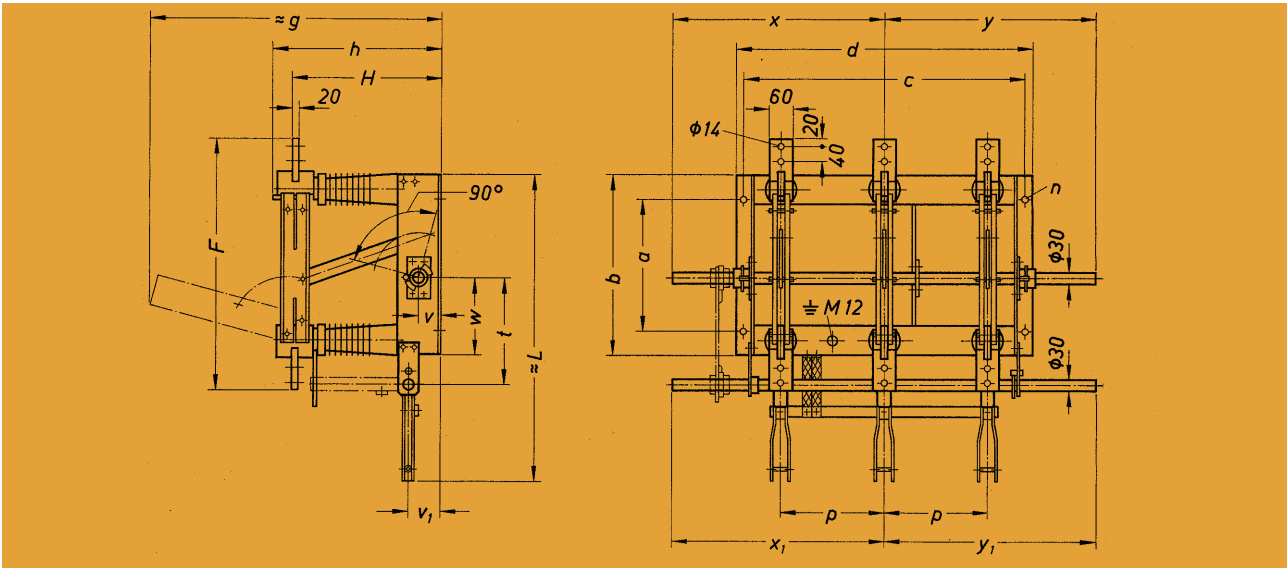
Part no., top-mounted earthing switch (excl. mechanical interlock)	Part no., top-mounted earthing switch (incl. mechanical interlock)	Part no., bottom-mounted grounding switch (incl. mechanical interlock)	Part no., bottom-mounted grounding switch (excl. mechanical interlock)
731 71012	731 71015	731 71014	731 71011
731 81012	731 81015	731 81014	731 81011
731 91012	731 91015	731 91014	731 91011

**Equipped with:** earthing switch with quick-make operation, positive mechanical locking between disconnecter and earthing switch, pilot switches, pneumatic operating mechanisms or motor-drive mechanisms (list 776) **only if a supplementary order is placed.**

**Indoor disconnecter with high-speed grounding switch mounted at top and bottom, upon inquiry.**

## DRIESCHER - Indoor Disconnecter L 31/13300

Rated current 1600 A



Rated voltage kV	Rated current A	Part no.	p	a	b	c	d	F	≈g	h	H	∅n	v	w	x/y	Weight kg	Drawing no.
12	1600	736 12000	210	280	400	600	640	590	575	350	300	15	60	115	450	81	IT 3-16565
24	1600	736 22000	275	350	480	750	790	670	760	450	400	19	60	155	565	91	IT 3-16565
36	1600	736 32000	400	450	600	1000	1040	770	1000	580	530	19	80	195	775	103	IT 3-16565

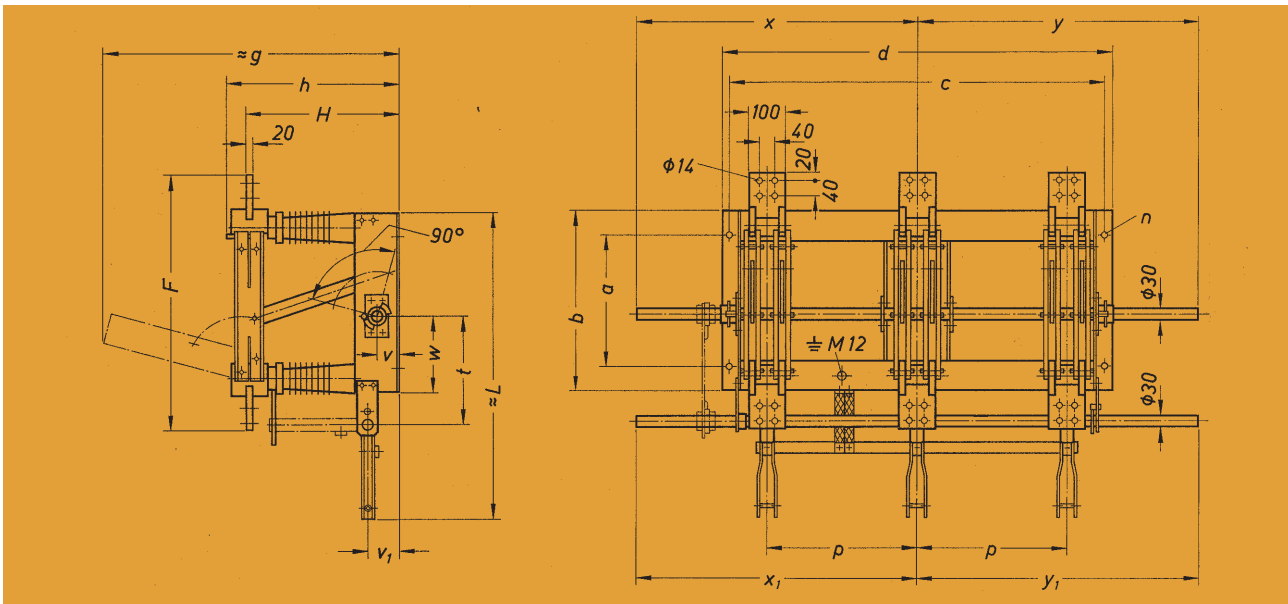
### • with earthing switch mounted at bottom

Rated voltage kV	Part no. (excl. mechanical interlock)	≈L	t	v <sub>1</sub>	x <sub>1</sub> /y <sub>1</sub>	Weight kg	Drawing no.	
12	736 12001	660	240	65	dimensions being missed are	450	92	IT 3-16565
24	736 22001	820	285	85	shown in the table above	565	103	IT 3-16565
36	736 32001	1040	315	105		750	125	IT 3-16565

**Equipped with:** earthing switch with quick-make operation, positive mechanical locking between disconnecter and earthing switch, pilot switches, pneumatic operating mechanisms or motor-drive mechanisms (list 776) **only if a supplementary order is placed.**

## DRIESCHER - Indoor Disconnecter L 31/13300

Rated current 2500 A



Rated voltage kV	Rated current A	Part no.	p	a	b	c	d	F	≈g	h	H	∅n	v	w	x/y	Weight kg	Drawing no.
12	2500	736 13000	275	280	400	750	790	600	585	360	310	15	60	160	565	113	IT 3-16566
24	2500	736 23000	400	350	480	1000	1040	680	770	460	410	19	60	205	750	122	IT 3-16566
36	2500	736 33000	500	450	600	1200	1240	780	1010	590	540	19	80	245	850	131	IT 3-16566

### • with earthing switch mounted on bottom

Rated voltage kV	Part no. (excl. mechanical interlock)	≈L	t	v <sub>1</sub>	x <sub>1</sub> /y <sub>1</sub>	Weight kg	Drawing no.	
12	736 13001	660	240	65	dimensions being missed are	565	123	IT 3-16565
24	736 23001	820	285	85	shown in the table above	750	132	IT 3-16565
36	736 33001	1040	315	105		850	141	IT 3-16565

If you require 4000-A or 6300-A indoor disconnectors, please inquire about details.

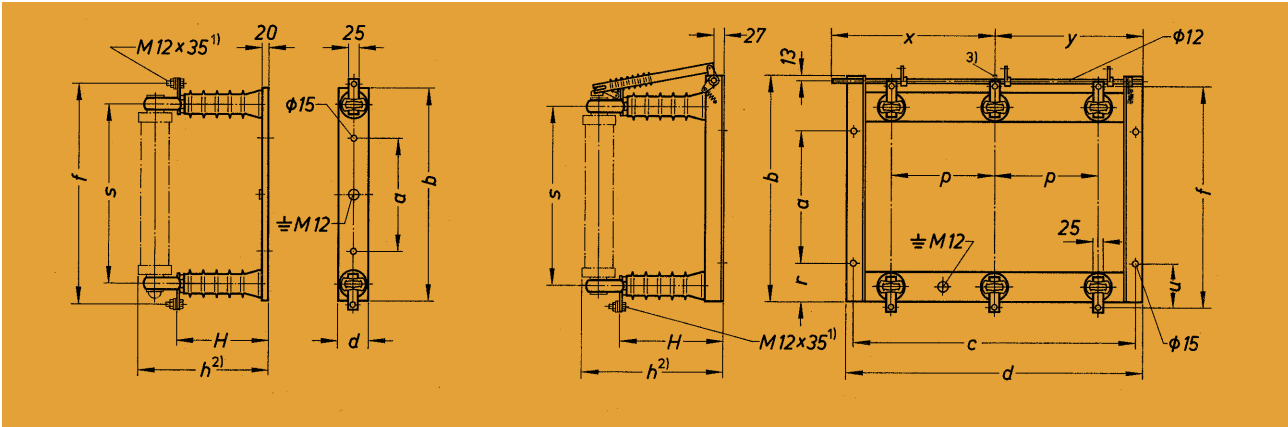
**Equipped with:** earthing switch with quick-make operation, positive mechanical locking between disconnecter and earthing switch, pilot switches, pneumatic operating mechanisms or motor-drive mechanisms (list 776) **only if a supplementary order is placed**

**Indoor disconnecter with top-mounted high-speed earthing switch, upon in-query.**



## DRIESCHER - Single-Pole and Three-Pole Indoor Fuse Bases

for h.v.h.b.c. fuses with rated currents of up to 200 A



- 1) Hexagonal screw with washer and spring washer
- 2) With maximum fuse diameter (88 mm) in accordance with DIN 43625
- 3) Bearing for tripping shaft at 36 kV only

### • Single-pole fuse bases

Rated voltage kV	Part no.	a	b	d	f	h	H	s	Weight kg	Drawing no.
12	733 14000	180	405	80	435	267	167	325	3.5	IT 4-2510
24	733 24000	300	565	80	585	347	247	475	5.5	IT 4-2510
36	733 34000	380	670	100	680	437	337	570	11.1	IT 4-2510

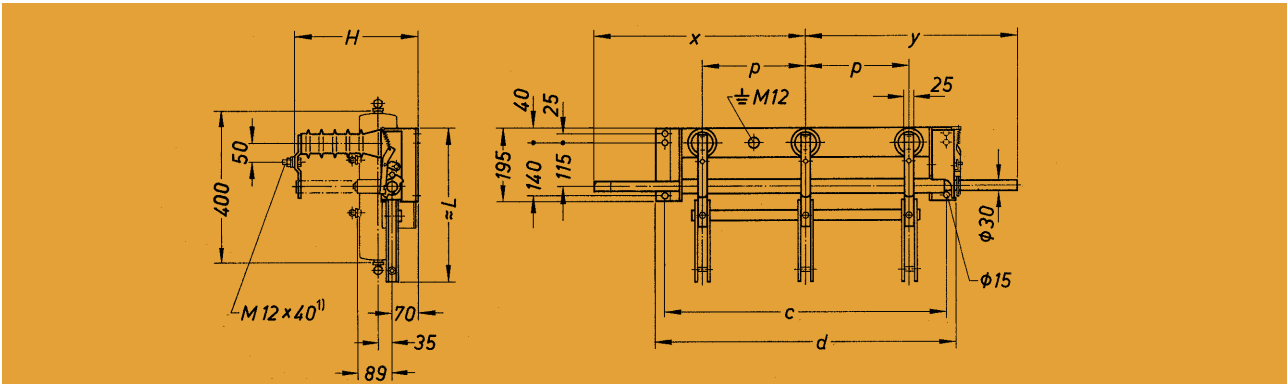
### • Three-pole fuse bases

Rated voltage kV	Part no. ohne Auslösevorrichtung	Part no. mit Auslösevorrichtung	p	a	b	c	d	f	h	H	r	s	u	x	y	Weight kg
12	733 11000	-	210	280	428	600	640	435	297	197	52.5	325	77.5	-	-	15.5
12	-	733 12000	210	280	428	600	640	435	297	197	52.5	325	77.5	360	320	18.0
24	733 21000	-	275	350	598	750	790	585	377	277	102.5	475	117.5	-	-	26.0
24	-	733 22000	275	350	598	750	790	585	377	277	102.5	475	117.5	435	395	29.0
36	733 31000	-	400	450	693	1000	1040	680	467	367	100	570	115	-	-	40.0
36	-	733 32000	400	450	693	1000	1040	680	467	367	100	570	115	560	520	43.7

Drawing no.: IT 3-5308

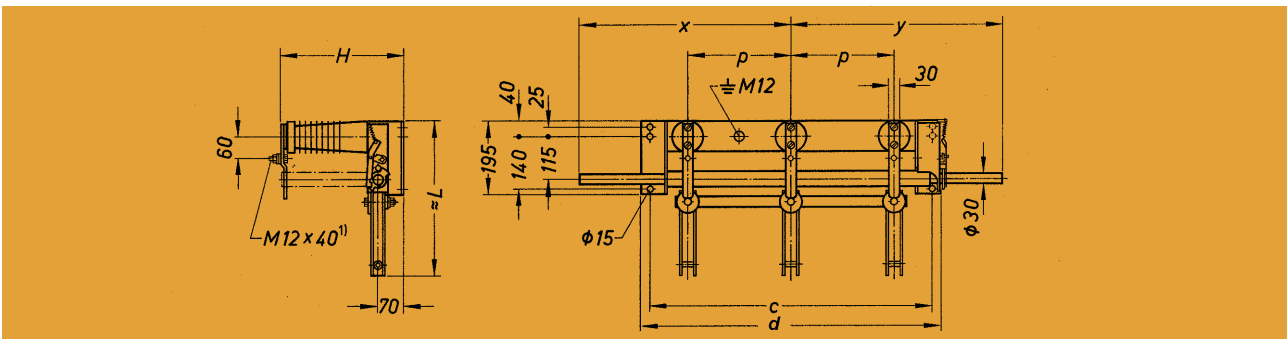
For information about h.v.h.b.c. fuses, please see *list 791*.  
 For information about fuse tongs, please see *list 773*.

## DRIESCHER - Indoor Earthing Switch with quick-make operation



1) Hexagonal screw (caulked) including nut, washer, and spring washer

Bemessungs- spannung kV	Bemessungskurz- zeitstrom $I_k$ kA	Bemessungs- stoßstrom $I_p$ kA	Teile-Nr.	p	c	d	H	≈L	x/y	Gewicht kg	Zeichn.-Nr.
12	25	63	734 11000	210	600	650	246	325	450	22.5	IT 3-38230
24	16	40	734 21000	275	750	750	326	405	565	27.5	IT 3-36815
36	12.5	31.5	734 31000	400	1000	1000	416	495	775	34.0	IT 3-36815



1) Hexagonal screw (caulked) including nut, washer, and spring washer

Bemessungs- spannung kV	Bemessungskurz- zeitstrom $I_k$ kA	Bemessungs- stoßstrom $I_p$ kA	Teile-Nr.	p	c	d	H	≈L	x/y	z	Gewicht kg	Zeichn.-Nr.
12	31,5	80	734 41950	210	600	650	248	325	450	129	27	IT 3-39047
24	40	100 <sup>2)</sup>	734 21500	275	750	800	328	410	565	174	32	IT 3-36816
36	25	63 <sup>3)</sup>	734 31100	400	1000	1050	418	500	775	259	39	IT 3-36816

2) Making capacity limited to 40 kA<sub>sw</sub>

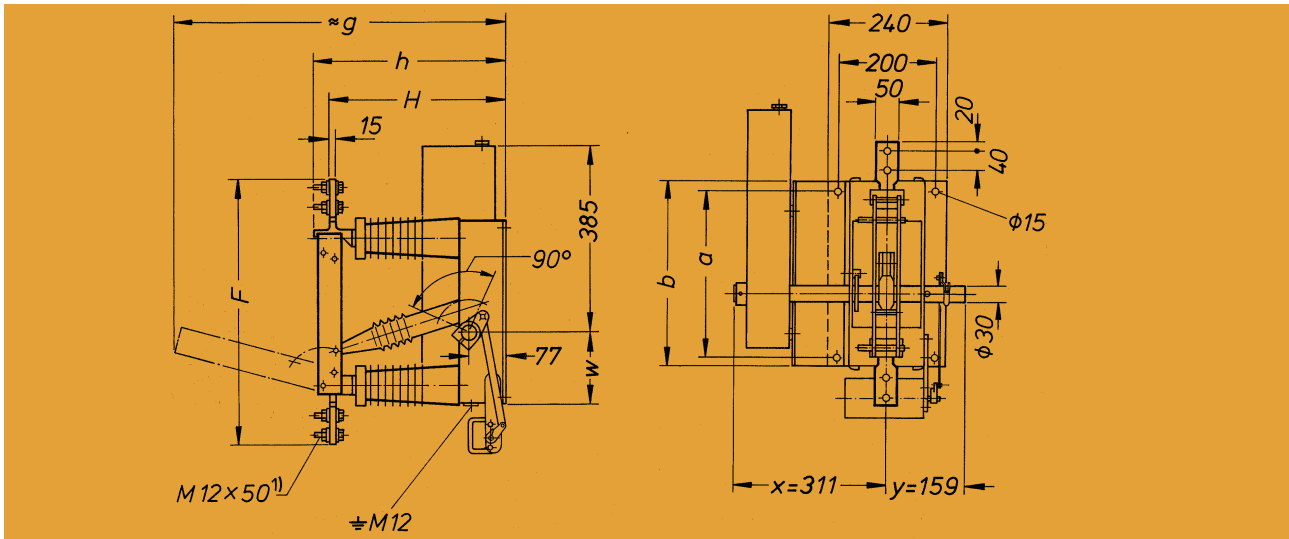
3) Making capacity limited to 32 kA<sub>sw</sub>

2) + 3) In the event of any peak short-circuit current exceeding the stated making current, no-load switching shall be ensured through interlocking etc.

**Earthing switches without quick-make operation** (without making capacity), with spring retention for OFF position, available as an option.

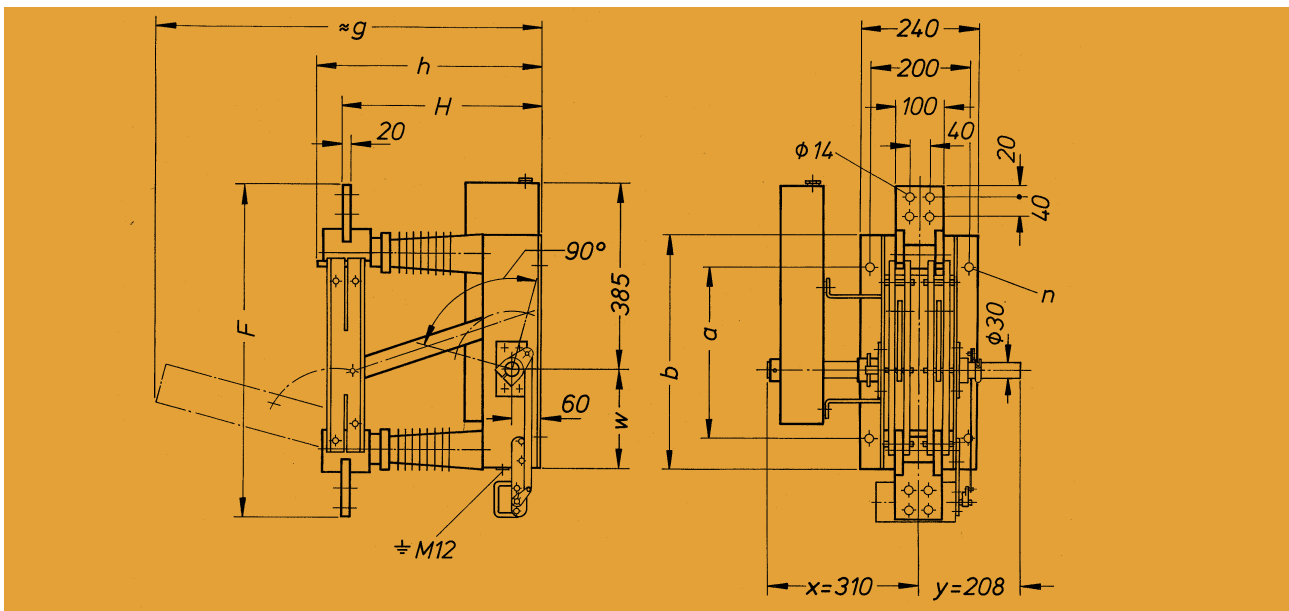
**Equipped with:** pilot switch, pneumatic operating mechanisms or motor-drive mechanisms (list 776)  
**only if a supplementary order is placed**

## DRIESCHER - Single-Pole Indoor Disconnectors, Rated currents 1250 and 2500 A



1) Hexagonal screws with nuts and strain washers

Rated voltage kV	Rated current A	Part no.	a	b	F	≈g	h	H	w	Weight kg	Drawing no.
12	1250	-	280	310	490	525	315	286	115	28	IT 4-59842
24	1250	731 89000	350	380	550	680	395	366	155	35	IT 4-59838
36	1250	-	450	480	640	885	505	476	195	40	IT 4-094740



Rated voltage kV	Rated current A	Part no.	a	b	F	≈g	h	H	ø n	w	Weight kg	Drawing no.
12	2500	736 63005	280	400	600	585	360	310	15	160	38	IT 4-41346
24	2500	736 73000	350	480	680	770	460	410	19	205	53	IT 4-59477

With regard to higher currents, we should like to ask you to consult with us.

## Our range of products includes:

### Medium-voltage systems

- Single-bus and duplicate-bus switchgear
- Non-withdrawable, withdrawable, and truck-type units
- Compact switchgear assemblies
- Custom-made models
- Industrial systems

### Medium-voltage switchgear

- Indoor switches, disconnectors, and earthing switches (single and triple pole)
- Indoor circuit breakers (low oil content and vacuum)
- Outdoor switches (low oil content and vacuum)
- High-voltage high-breaking-capacity fuses

### Low-voltage systems

- Open-framework design
- Enclosed break devices (up to 6,000 A)
- Cable and fixed-station distribution cabinets

### Low-voltage switchgear

- Switch disconnectors
- Switch and fuse blocks
- Low-voltage high-breaking-capacity fuses

### Driving gear

- Hand-operated and motor-operated mechanisms
- Indoor and outdoor driving gear

### Accessories

- For medium and low voltages
- For station equipment
- Insulators (0.5 kV - 38.5 kV)
- Plastic and glass-reinforced plastic screening

Dimensions, weights, diagrams and descriptions in the list are non-binding. Subject to change without notice.

**switching • electricity • safely**

## ELEKTROTECHNISCHE WERKE FRITZ DRIESCHER & SÖHNE GMBH

D-85366 MOOSBURG • TEL. +49 87 61 6 81-0 • FAX +49 87 61 68 11 37  
<http://www.driescher.com> email: [Driescher@aol.com](mailto:Driescher@aol.com)

